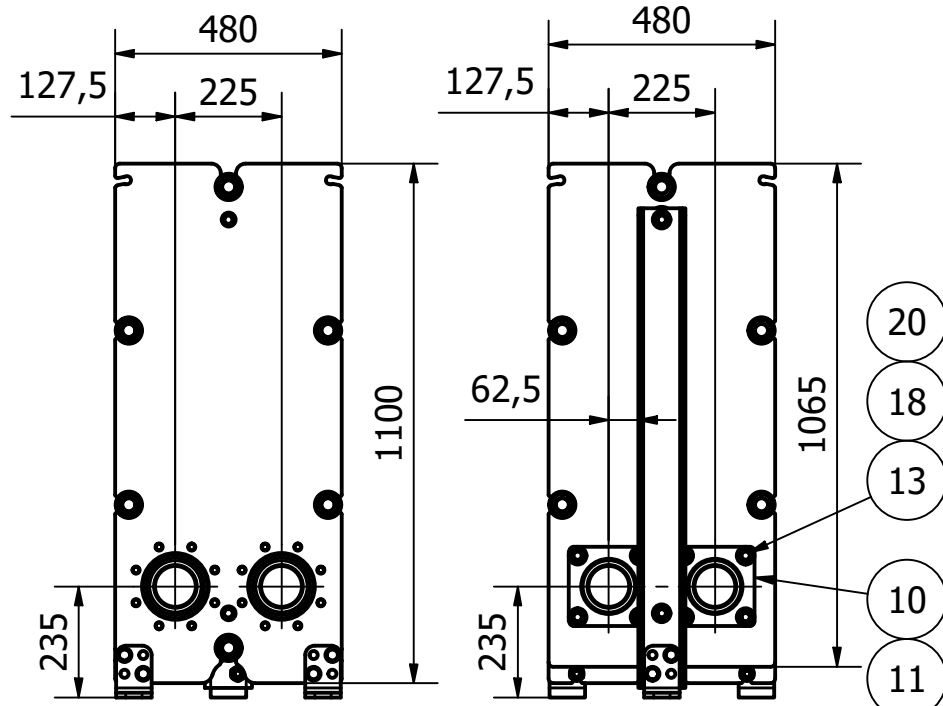
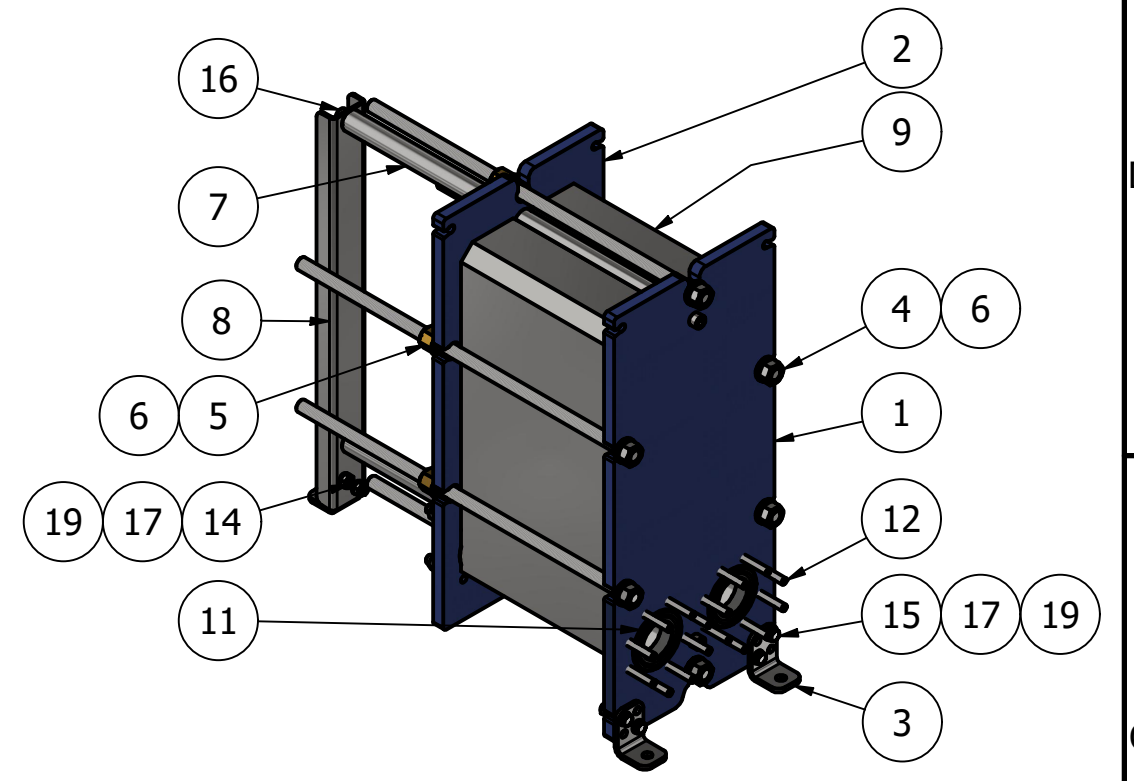


SIDE VIEW



FRONT VIEW

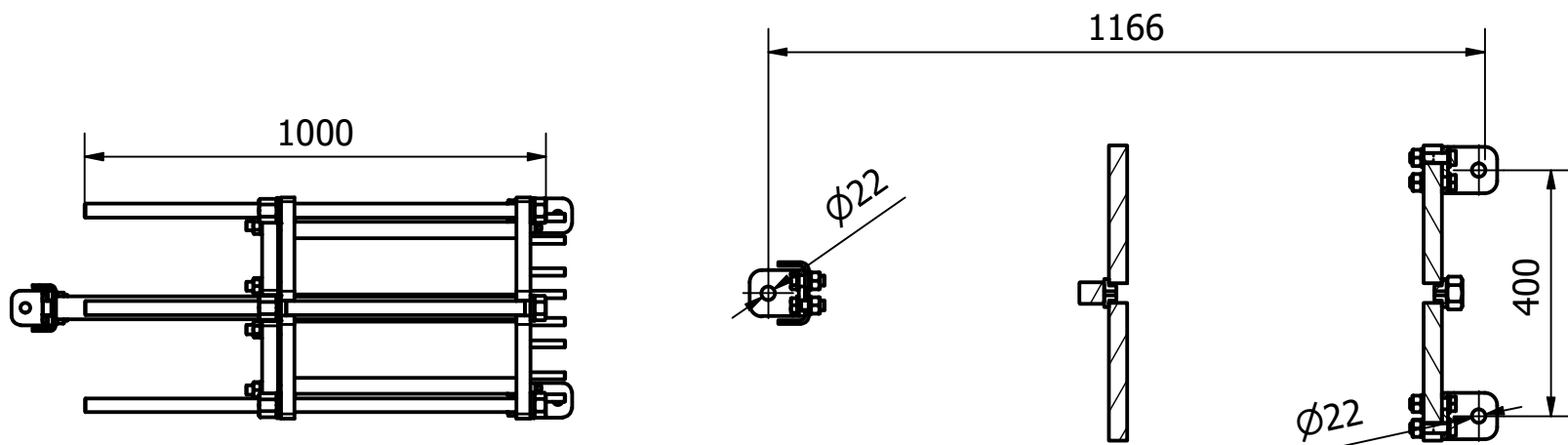
BACK VIEW



ISOMETRIC VIEW

20	10	M20 Washer		SS 304	
19	12	M16 Washer		SS 304	
18	8	M20 Hex Nut		SS 304	
17	6	M16 Hex Nut		SS 304	
16	4	M20x60 Socket HD Cap Screw		SS 304	
15	4	M16x65 Hex HD Bolt		SS 304	
14	2	M16 x 45 Hex HD Bolt		SS 304	
13	8	M20 Threaded Rod	100 LG	SS 316 (A4-80)	
12	16	M16 Threaded Rod	100 LG	SS 304	
11	4	NB100 Port Liner		NBR	
10	2	NB100 PN16 Square Flange	Plate 170x170x35 THK	SS 304	
9	1	Plate Pack	160 Plates	SS 304L	
8	1	Rear Stabilizer	Plate 1015x200x6 THK	SS 304L	
7	2	Guide Shaft	Ø50x1000 LG	SS 304L	
6	12	M30 Step Washer	Ø55x20 LG	SS 304L	AT-10-DT-001
5	6	Manufactured Brass Nut	M30x40 LG	Brass	
4	6	Manufactured Hex Bolt	M30x1000 LG	SS 304L	
3	3	Universal Foot Mount	Plate 183x75x10 TKH	SS 304L	
2	1	Pressure Plate	Plate 1065x480x30 THK	Mild Steel	
1	1	Frame Plate	Plate 1100x480x30 THK	Mild Steel	
ITEM	QTY	DESCRIPTION	SIZE	MATERIAL	COMMENTS

Bill of Materials



TOP VIEW

SECTION D-D ( 1 : 12 )

AT-10 - 2 PASS SQUARE FLANGE  
PLATE AND FRAME HEAT EXCHANGER  
GENERAL ARRANGEMENT



A3

SCALE : 1:16

SUB CONTRACTOR DWG NO

CLIENT DWG NO

APEX DWG NO AT-10-2PS-GA-001

AT-10 - 2 PASS SQUARE FLANGE  
HEAT EXCHANGER



Sheet of REV

Sheet of REV

Sheet 1 of 1 REV B

This drawing is subject to return on demand and must not be copied or passed on to any third party; or used directly or indirectly for any other purpose that the design and construction to the order of APEX THERMAL

REVISION	REV	DESCRIPTION	DRAWN	CHECKED	APPROVED	DATE
	A	ISSUED FOR APPROVAL	JD	DDB	DDB	17.03.2025
	B	ISSUED FOR APPROVAL	JD	DDB	DDB	17.03.2025